

# GS6000

## SWING GATE OPERATOR

Heavy-Duty Commercial Operator for Class I, II, III & IV Installations

CUSTOMER \_\_\_\_\_

PROJECT \_\_\_\_\_

ARCHITECT/ENGINEER \_\_\_\_\_

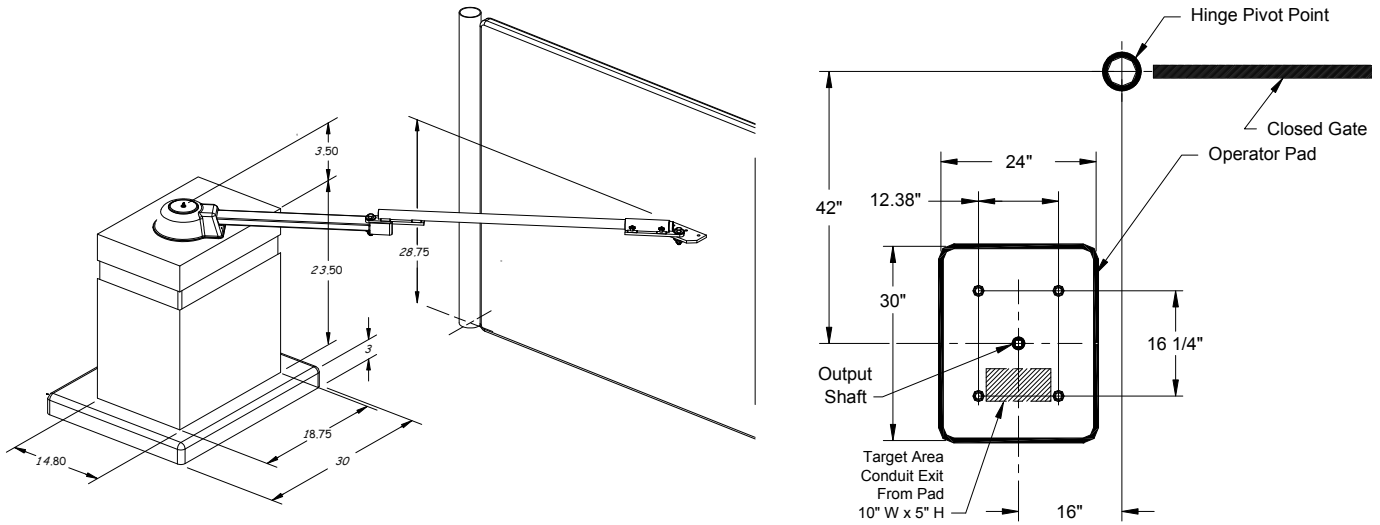
CONTRACTOR \_\_\_\_\_

DRAWING NUMBER \_\_\_\_\_

DATE \_\_\_\_\_

SHEET \_\_\_\_\_

OF \_\_\_\_\_



### ORDERING INFORMATION:

SUPPLY \_\_\_\_\_ ALLSTAR OPERATOR(S) MODEL **GS6000**

WITH A MOTOR RATING OF 1/2 HP, 115 VOLTS, 1-PHASE, 60 HERTZ

FOR A \_\_\_\_\_ WIDE \_\_\_\_\_ LB \_\_\_\_\_ TYPE GATES(S)

WITH \_\_\_\_\_

AUXILIARY AND OPTIONAL EQUIPMENT AS SPECIFIED BELOW OR ON ATTACHED SHEET:

### ARCHITECTURAL SPECIFICATIONS:

Electric gate operator(s) shall be model GS6000, manufactured by Linear LLC and Underwriters Laboratory Listed per UL 325 & UL 991. Operator shall be protected from the environment by a rust free LLPE moulded cover, per UL standards. Operators shall be equipped with a belt drive/60:1 gear box speed reduction system with an adjustable torque-limiter and shall drive the gate at a speed of approximately **14 seconds for a 90° opening**. A heavy-duty crank arm shall be included to connect the operator to the gate. The operator shall be equipped with an integral limit system that provides accurate settings to control the open and close positions of the gate and shall not be affected by manual operation or motor removal. The motor and operator shall be protected against overload by a thermal protector. Operators shall incorporate a heavy duty solid state motor control system and a pre-wired CLASS II control circuit with provisions for connecting open-close-stop pushbutton stations, radio controls, and external obstruction sensing systems (contact and non-contact devices) and access control systems (loops, entry systems, phone systems). Operators shall have a 40 VA transformer to provide Class II power. The solid state motor controls shall incorporate the following: adjustable auto close timer; independently adjustable open and close inherent anti-entrapment system; selectable control of additional operator (master/slave); right-hand/left-hand conversion; self adjusting maximum run timer; detected entrapment alarm; electronic motor braking, emergency pushbutton enabling which activates a pushbutton station when there is a detected entrapment; installation/test mode operation; diagnostic LED's; slave mode operation.

### NOTES:

REFER TO PRODUCT DATA SHEET FOR GENERAL INFORMATION

REFER TO DRAWING 111993 FOR WIRING DIAGRAM

**LINEAR LLC**  
1950 Camino Vida Roble Ste. 150  
Carlsbad, CA 92008

Phone 800-421-1587  
Fax 800-468-1340  
Website [www.allstarcorp.com](http://www.allstarcorp.com)



## AUXILIARY AND OPTIONAL EQUIPMENT

CUSTOMER

PROJECT

ARCHITECT/ENGINEER

CONTRACTOR

DRAWING NUMBER

DATE

SHEET

OF

**LINEAR LLC**  
1950 Camino Vida Roble Ste. 150  
Carlsbad, CA 92008

Phone 800-421-1587  
Fax 800-468-1340  
Website [www.allstarcorp.com](http://www.allstarcorp.com)

